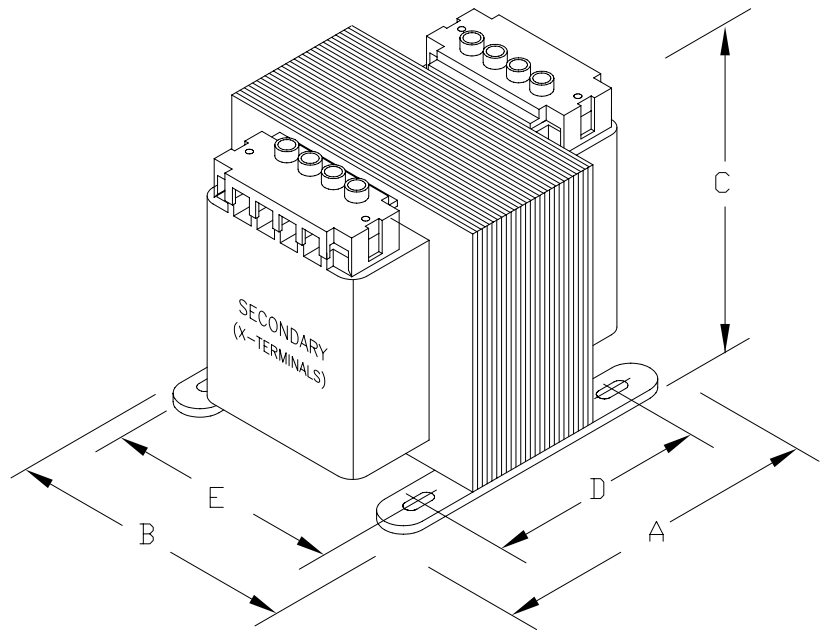


CONNECTION DIAGRAM



PROVIDED WITH SAFE TOUCH TERMINAL COVERS.
NO INTEGRAL FUSING CAPABILITY.

DIMENSIONS							APPROX. WT. LBS (KG)
	A	B	C	D	E	MTG. SLOTS	
INCHES (MM)	4.38 (111)	4.50 (114)	4.00 (102)	3.75 (95)	3.75 (95)	0.203X0.460 (5.1X11.7)	



CAT.NO. B300-2057-GAF		CONST. ENCAPSULATED				LISTED CERTIFIED IEC 61558
		MODEL GLOBALTRAN				
RATING						
OUTPUT AMPS	12.5	PRIMARY V	380		TEMP. CLASS	HZ 50/60
VA	300	SECONDARY V	24		130°C	REVISION G